

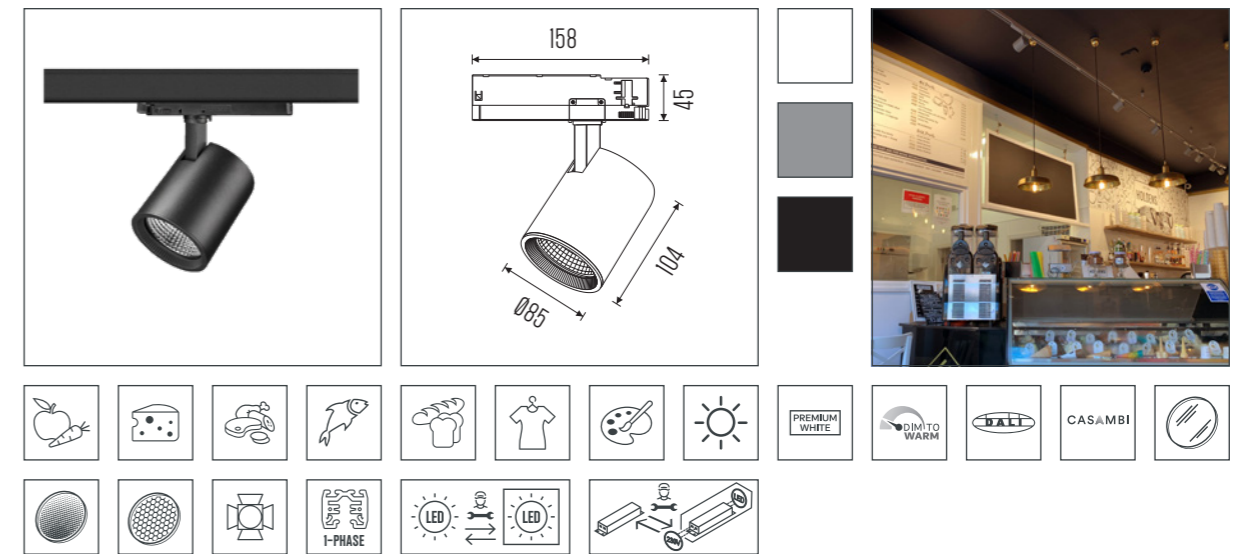
EDDA.



COMPACT AND DISTINCTIVE.

If you are a fan of compact luminaires, the Edda spotlight is perfect for you. The design of this adjustable 3-phase track spot is really distinctive, with the incorporated driver track adapter. You can choose from three sizes and a wide range of light colours and accessories, which makes Edda popular in shops, showrooms and hospitality establishments.

EDDA S.

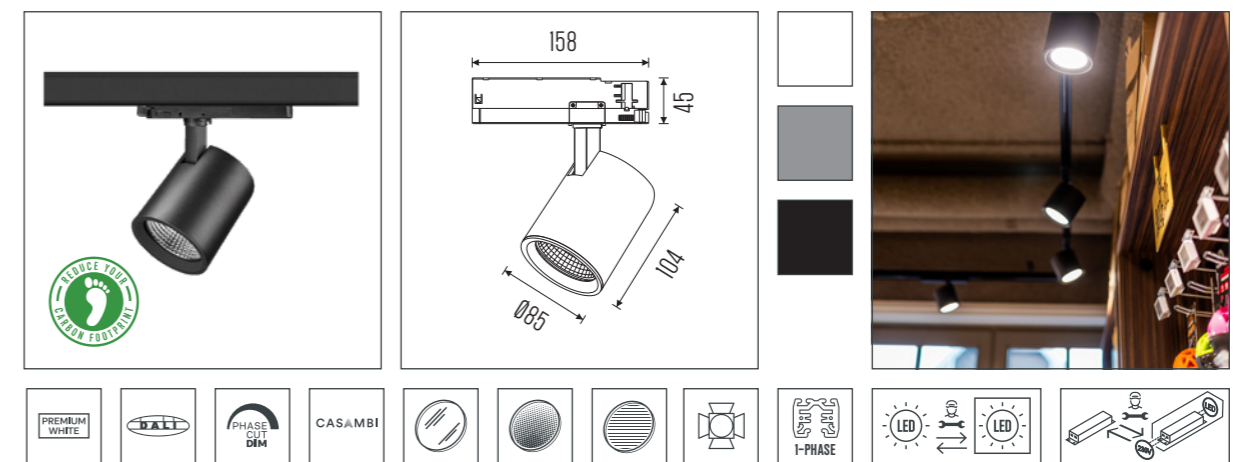


Adjustability	: 350° rotational and 90° tiltable	Optic	: Facet anodized aluminum reflector 15°, 24°, 45°, 55°
CCT	: 2700K - 5700K	Mains voltage	: 220-240V / 50-60Hz
CRI	: (RA) >90, (RA) >97, (RA) >80	Max. ambient temperature	: 35°C
Chromaticity tolerance	: 3	Ingress protection	: IP20
Luminous flux	: max. 2500Lm	Net. weight	: 0.65Kg
Connected load	: max. 18.5W	Warranty	: 5 years
System efficiency	: max. 130Lm/W		
Electrical Safety Class	: Class II		

Go to full specs



EDDA S HE.

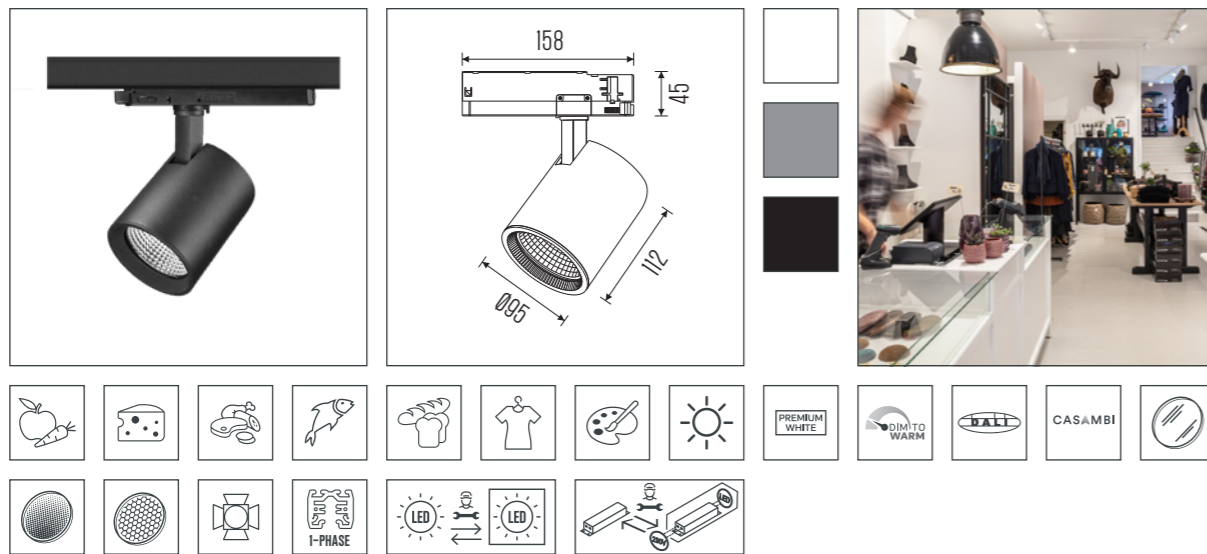


Adjustability	: 350° rotational and 90° tiltable	Optic	: Facet metalized reflector 15°, 25°, 40°, 65°, 25° x 45°, 30° x 50°
CCT	: 2700K, 3000K, 4000K, 3000K PW, 3500K PW, 4000K PW	Mains voltage	: 220-240V / 50-60Hz
CRI	: (RA) >90	Max. ambient temperature	: 35°C
Chromaticity tolerance	: 2	Ingress protection	: IP20
Luminous flux	: max. 2700Lm	Net. weight	: 0.65Kg
Connected load	: max. 19W	Warranty	: 5 years
System efficiency	: max. 150Lm/W		
Electrical Safety Class	: Class II		

Go to full specs



EDDA M.

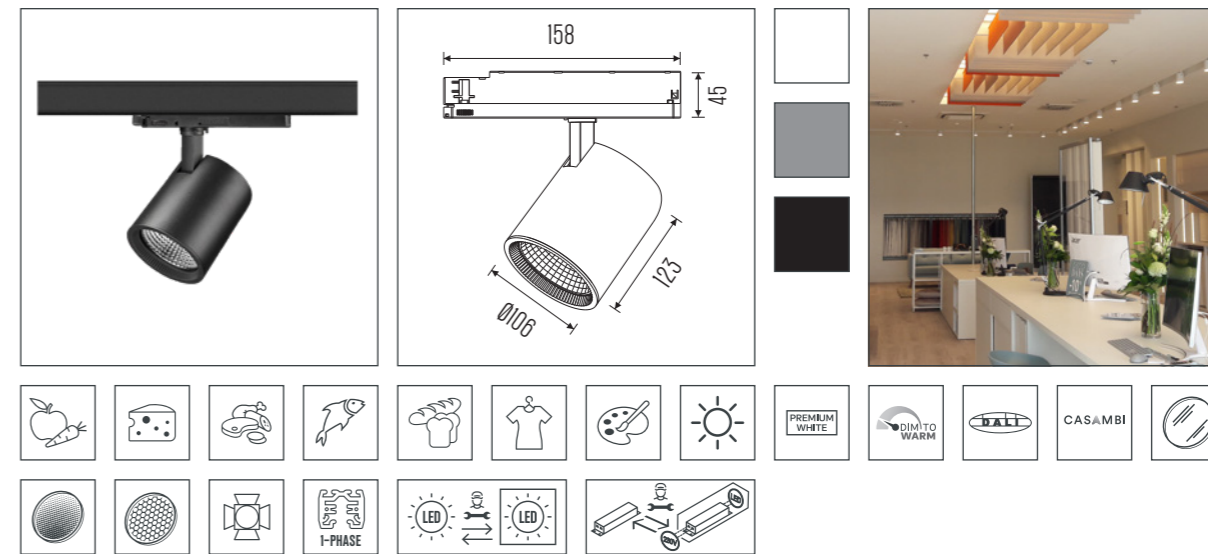


Adjustability	: 350° rotational and 90° tiltable	Optic	: Facet anodized aluminum reflector 15°, 30°, 45°, 55°
CCT	: 2700K - 5700K	Mains voltage	: 220-240V / 50-60Hz
CRI	: (RA) >90, (RA) >97, (RA) >80	Max. ambient temperature	: 35°C
Chromaticity tolerance	: 3	Ingress protection	: IP20
Luminous flux	: max. 3500Lm	Net. weight	: 0.85Kg
Connected load	: max. 30W	Warranty	: 5 years
System efficiency	: max. 130Lm/W		
Electrical Safety Class	: Class II		

Go to full specs



EDDA L.

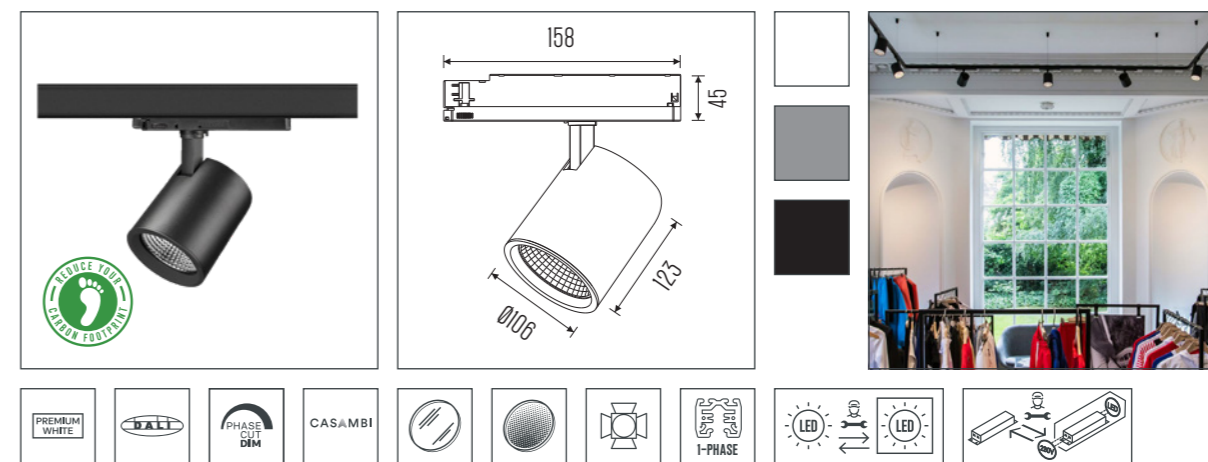


Adjustability	: 350° rotational and 90° tiltable	Optic	: Facet anodized aluminum reflector 15°, 30°, 45°, 60°
CCT	: 2700K - 5700K	Mains voltage	: 220-240V / 50-60Hz
CRI	: (RA) >90, (RA) >97, (RA) >80	Max. ambient temperature	: 35°C
Chromaticity tolerance	: 3	Ingress protection	: IP20
Luminous flux	: max. 4500Lm	Net. weight	: 1.00Kg
Connected load	: max. 38.5W	Warranty	: 5 years
System efficiency	: max. 135Lm/W		
Electrical Safety Class	: Class II		

Go to full specs



EDDA L HE.



Adjustability	: 350° rotational and 90° tiltable	Optic	: Facet metalized reflector 20°, 30°, 40°, 60°
CCT	: 2700K, 3000K, 4000K, 3000K PW, 3500K PW, 4000K PW	Mains voltage	: 220-240V / 50-60Hz
CRI	: (RA) >90	Max. ambient temperature	: 35°C
Chromaticity tolerance	: 2	Ingress protection	: IP20
Luminous flux	: max. 5200Lm	Net. weight	: 1.00Kg
Connected load	: max. 40W	Warranty	: 5 years
System efficiency	: max. 147Lm/W		
Electrical Safety Class	: Class II		

Go to full specs

