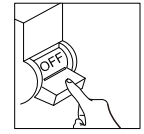
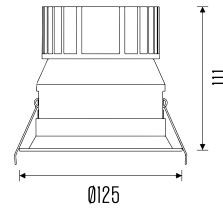




INSTALLATION MANUAL

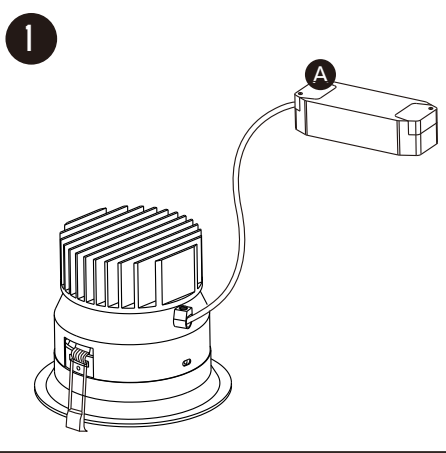
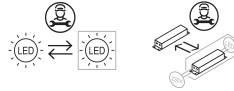


BALDR S

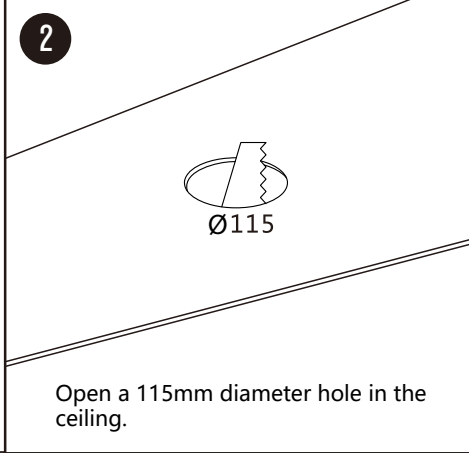


Do not operate with power supply connected.

AC220-240V | 50/60Hz | IP20 | Die cast

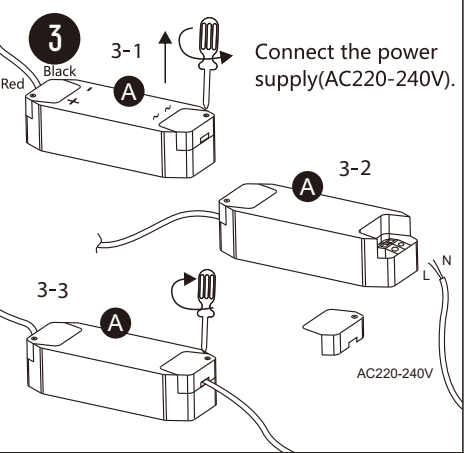


1



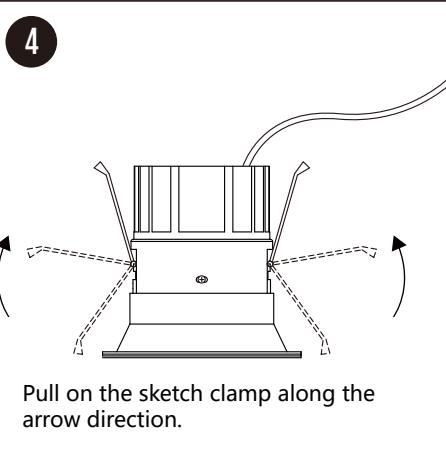
2

Open a 115mm diameter hole in the ceiling.



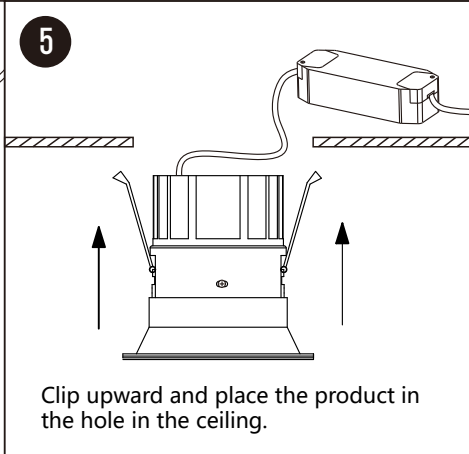
3

Connect the power supply(AC220-240V).



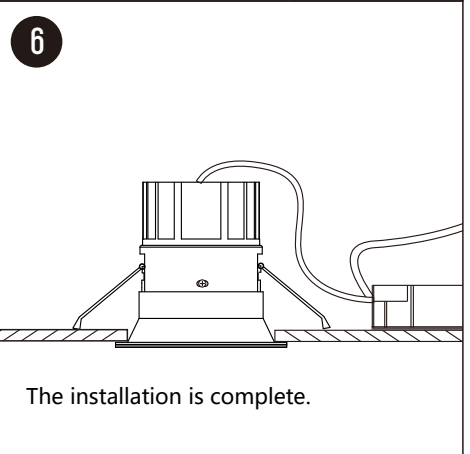
4

Pull on the sketch clamp along the arrow direction.



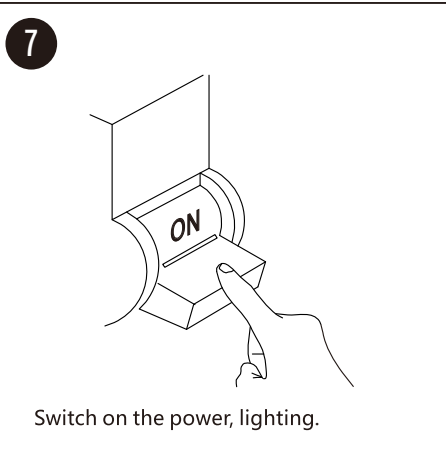
5

Clip upward and place the product in the hole in the ceiling.



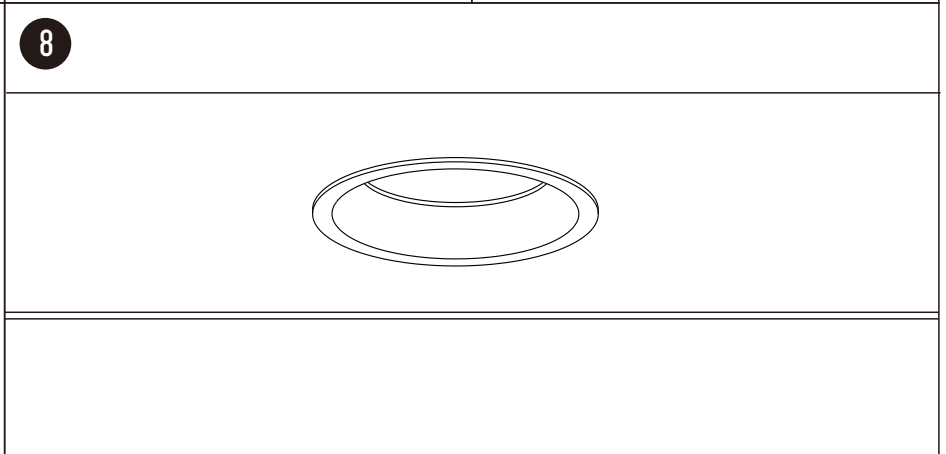
6

The installation is complete.



7

Switch on the power, lighting.



8

Warnings:

1. Make sure that the product is installed properly before connecting to electricity.
2. Do not cover the fitting.
3. Maintenance and installation should only be carried out by a professional electrician.